

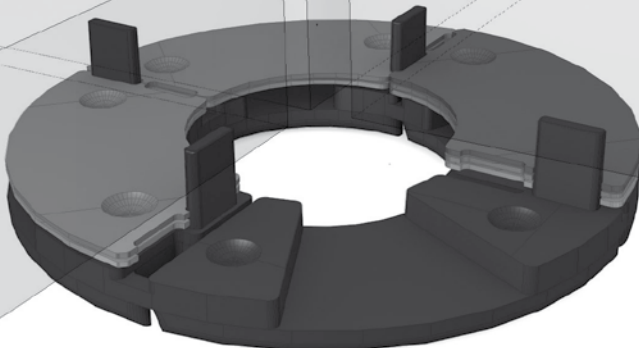
TERRA[®]
LEVEL
flexibel - schnell - sauber

the way you lay...

- Millimeter-precise slope compensation
- Slabs do not dangle
- Special plastic reduces footfall sound
- For every sealing foil



LAYING INSTRUCTIONS

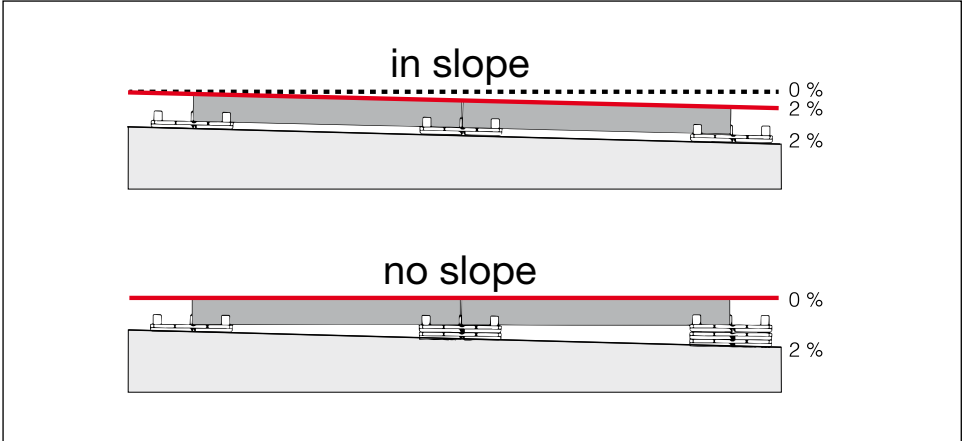


www.terra-level.com



1

TERRA LEVEL® can be used to install patio slabs at different inclines.



2

In order to determine the number of pedestals and patio slabs you need, use our calculation program TERRA LEVEL Calculator which can be found at <http://www.terra-level.at/en/produkte/calculator/>

Stückberechnung

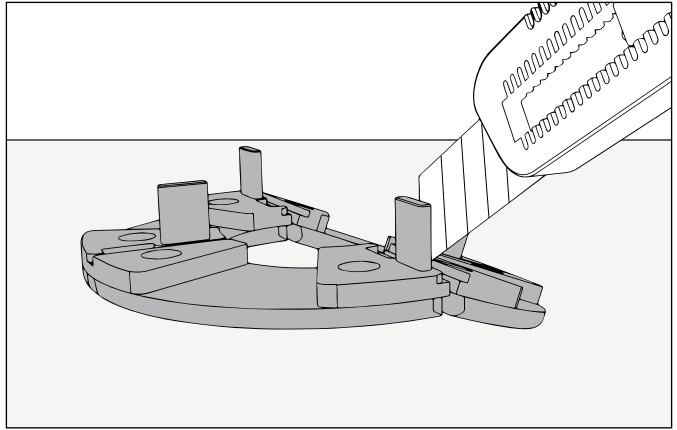
Der Terra Level Stückberechner, ist ein Kalkulator, der Ihnen dabei hilft, die erforderliche Stückzahl an Plattenlager für Ihr Projekt zu ermitteln.

TERRA LEVEL® Calculator Platte: 60 : x 60 : Winkel: 0 : Versatz: -37 : x 0 : F-Fuge: Abfluss Zurücksetzen! Drucken!

| | |
|------------------|------|
| Fläche [m²]: | 25.6 |
| Lagerpunkte: | 93 |
| Platten: | 84 |
| Pl. komplett: | 50 |
| Pl. geschritten: | 34 |
| TL1 (1cm) | 277 |
| TL2 (3cm) | 180 |
| TL3 (1mm) | 1052 |

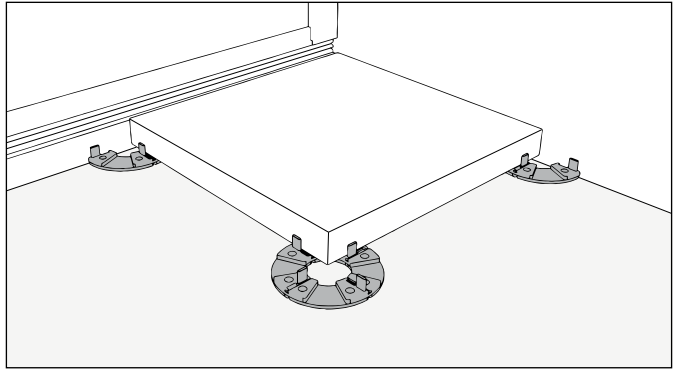
3

The pedestal can be halved or quartered for the edges or corners. Score first, then break.



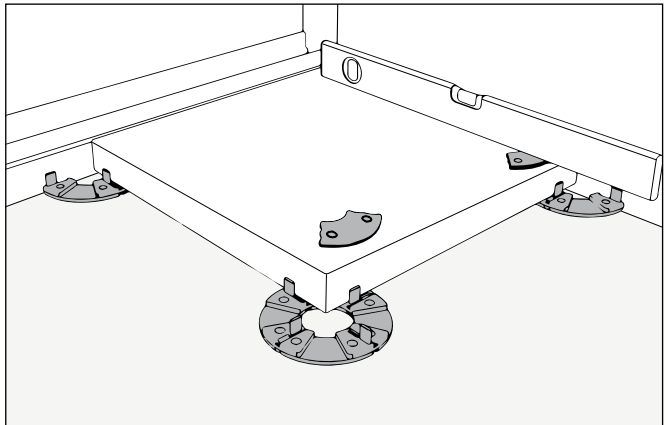
4

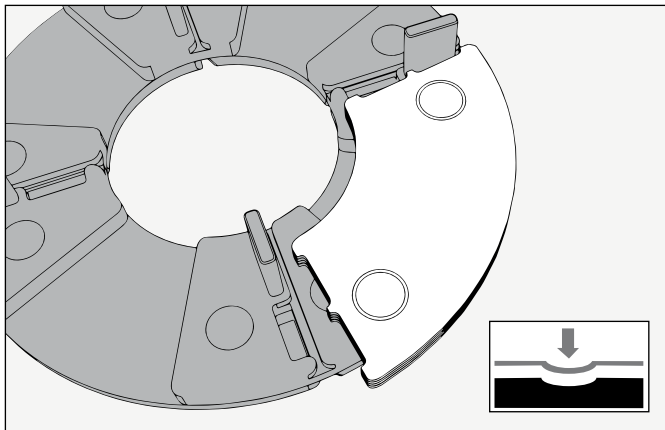
Set the patio slab in the pedestals and start at the highest point of the incline.



5

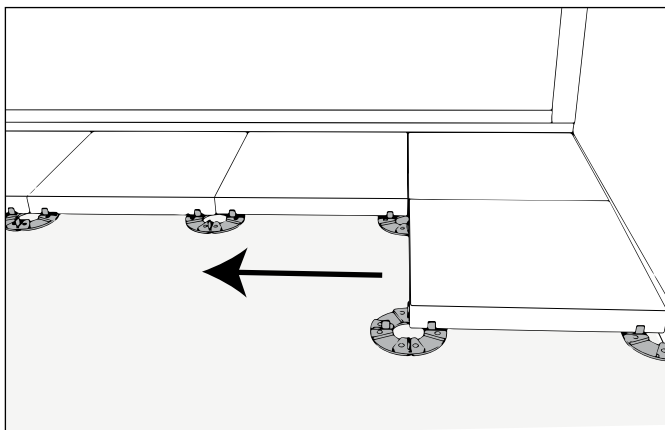
Compensating the incline: Use a level to check how many 1 mm adjustment discs you need to be stacked on top of one another. If more than 10 adjustment discs are needed, a further TL1 pedestal must be used instead.





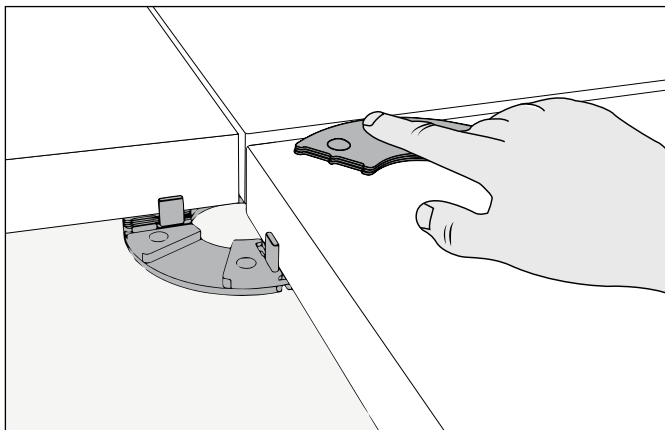
6

TL3 adjustment discs are clicked in from the side – care must be taken to make sure they are centred properly.



7

Heed the laying direction.

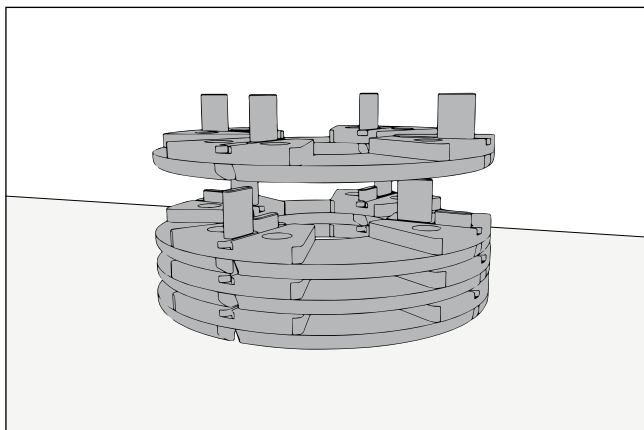


8

Stack as many TL3 1 mm adjustment discs as necessary until the same level is reached.

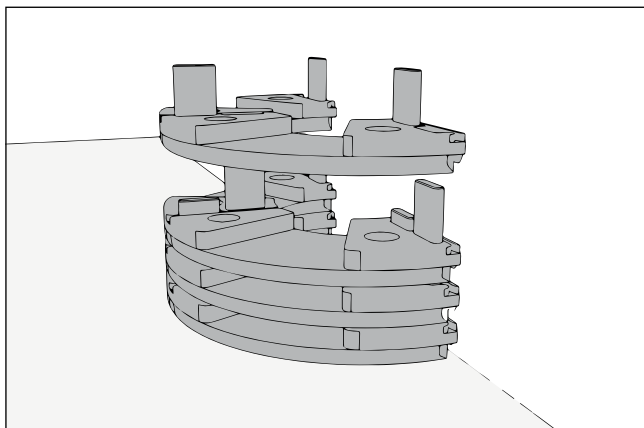
9

TL1 pedestals 1 cm can be stacked offset by 90° to each other up to a raising height of 4 cm.



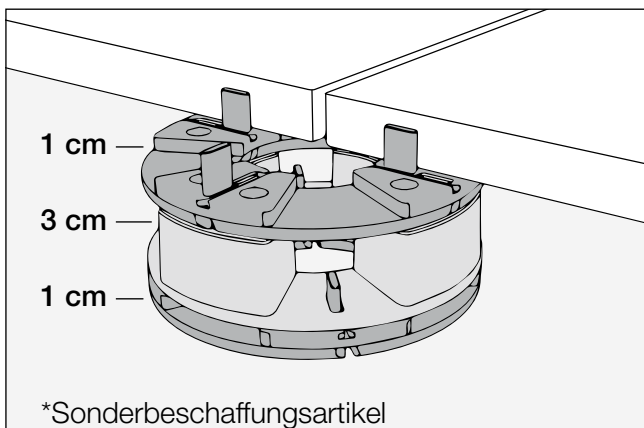
10

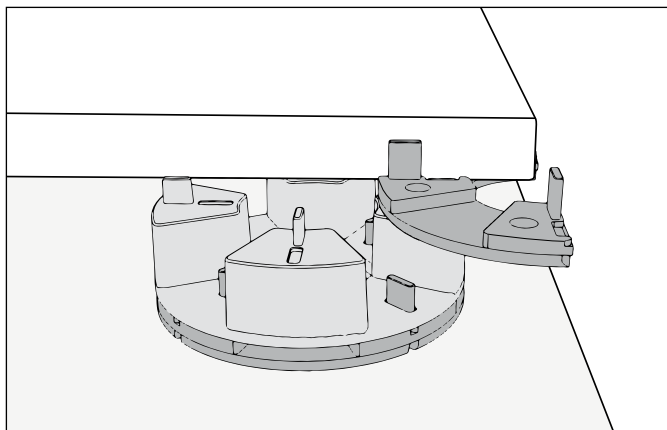
Edge pedestals can be stacked offset by 90° to each other up to a raising height of 4 cm. CAUTION: Before cutting, note which halves fit together.



11

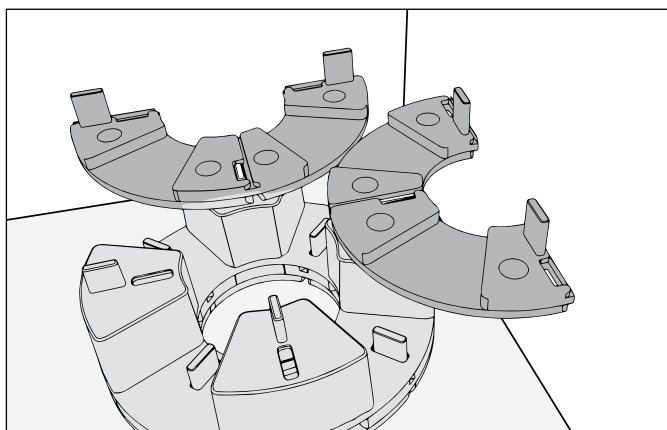
From a raising height of 5 cm a TL2 3 cm block is installed in the centre.





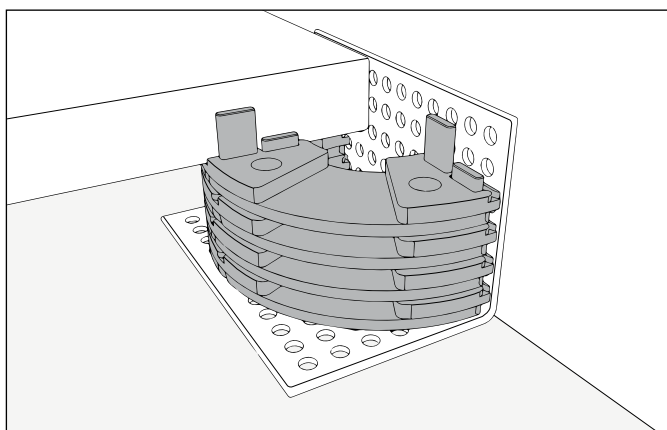
12

Edge solution from 5 cm raising height. (Caution: From a raising height of 6 cm the projecting joints must be shortened.)



13

Corner solution from 5 cm raising height. (Caution: From a raising height of 6 cm the projecting joints must be shortened.)



14

When pedestals are used for slab laying, patios must have an appropriate border. If this is not the case, suitable construction measures must be taken.



No responsibility is taken for the correctness of these laying instructions.
For more information, see the video on our website
<http://www.terra-level.at/>