



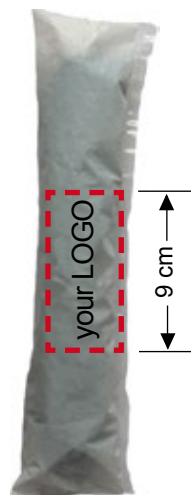
CROSS JOINT



CROSS JOINT 3 mm / 5 mm

Article no.	Product description	box
FK 0001	cross joint 3 mm	60 bags à 50 pcs.
FK 0002	cross joint 5 mm	60 bags à 50 pcs.

At a minimum order of one palett / 12 boxes per 3 mm or 5 mm cross joints within Austria free shipping. Your own logo print is possible.



Packing with logo print



Packaging without logo print

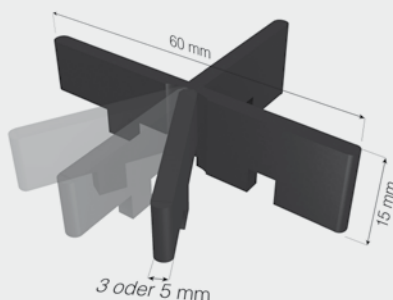


Packaging without logo print

The cross joint can be converted to a T-piece by breaking a leg at the predetermined breaking point.



joint width: 3 mm
 height: 15 mm
 length: 60 mm



joint width: 5 mm
 height: 15 mm
 length: 60 mm



stackable
 joint width: 3 mm / 5 mm
 height: 25 mm
 length: 60 mm